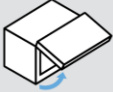


GSDS-C301N Soft-Down Stay

Upward opening

Opening Direction	Description	Non-handed	Maximum Door Moment
 Upward-opening	With Catch	Yes	3.92~6.86 N · m/pc (40~70 kgf · cm/pc)

Features

- Soft-closing for upward-opening doors
- Non-handed: Can be installed either on left or right side
- Designed to hold the door in fully opened and closed position
- Use butt hinge or concealed hinge for door hinge (in case of wooden door or metal door)
- Passed 30,000 life cycle test

Notes

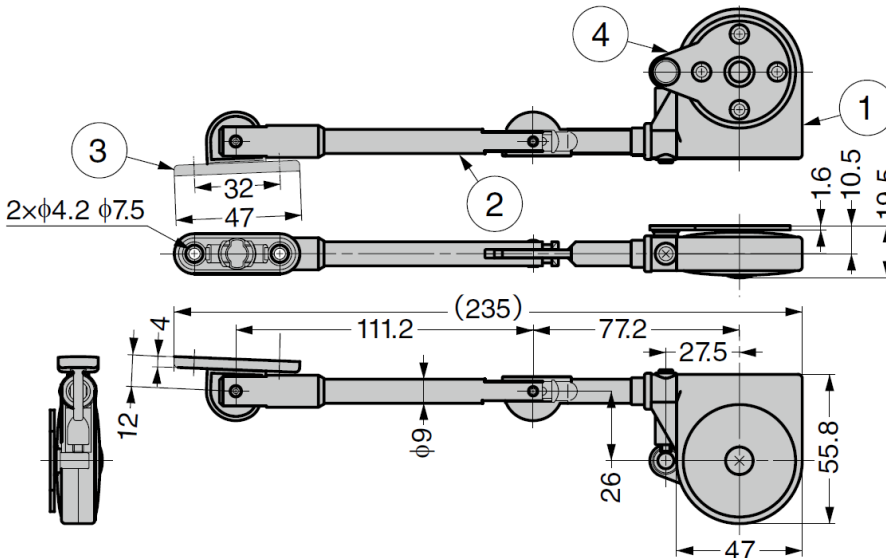
- Operating temperature: 0°C - 40°C
- Do not push the door up more than opening angle, and do not forcibly press the door down when closing

Parts Included

- Mounting plate **GSDS-A**
- Countersunk head tapping screw 3.5×14

Sold Separately

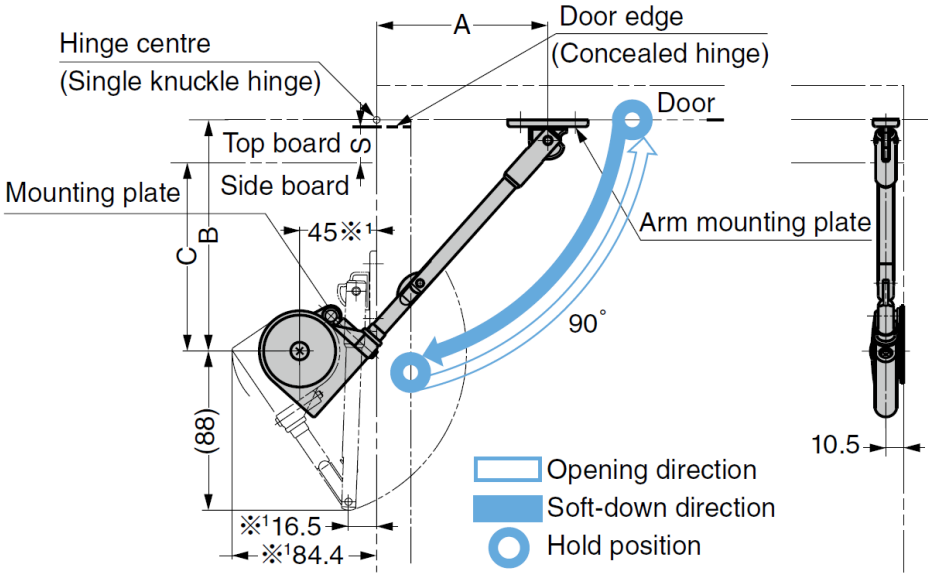
- **GSDS** face plate and spacer for glass door installation



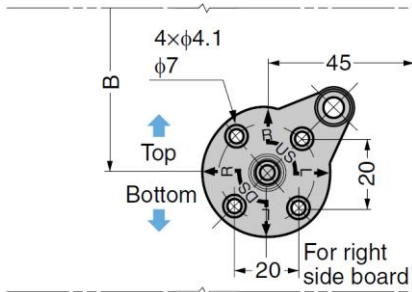
No.	Part Name	Material	Finish/Colour
①	Body	ABS	White, Grey, Black
②	Arm	Steel (SPCC)	Nickel
③	Arm Mounting Plate		
④	Mounting plate		

Installation Illustration: Right side installation for upward-opening 90°. Left side installation is symmetrical

Comes down slowly and softly in closing direction. Installation with piano/butt hinge or concealed hinge shown below.



Installation for Mounting Plate



For right side board, install with the “→” mark of R at US side directly upwards.
For left side board, install with the “→” mark of L at US side directly upwards.

Overlay	Hinge Type	A	B	C
Full Overlay	Single Knuckle Hinge	100	135	–
Full Overlay	Concealed Hinge	108	–	143-S
Inset	Single Knuckle Hinge	97※ ²	132※ ²	–

※² In case the door thickness is 20 mm.

- S is overlay at hinge side
- Installation dimensions vary depending on hinge type. Reference point of installation dimensions (A, B, C): hinge centre for piano/butt hinge, while door edge for concealed hinge
- ※¹ Reference point of ※¹ marked dimensions is the back side of door.

Glass Face Plate and Spacer (Sold Separately)

Part No.	Material	Finish
GSDS-50G-CR	Zinc Alloy / ABS	Chrome / Black
GSDS-50G-BL		Black Enamel Finish / Black

Body

Part No.	Material	Finish	Maximum Door Moment (per piece)	
GSDS-C301NW	ABS / Steel	Nickel / White	3.92 ~ 6.86 N.m	40 ~ 70 kgf.cm
GSDS-C301NG		Nickel / Grey		
GSDS-C301NBL		Nickel / Black		

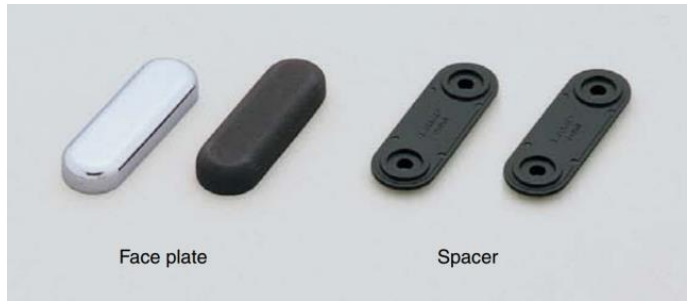
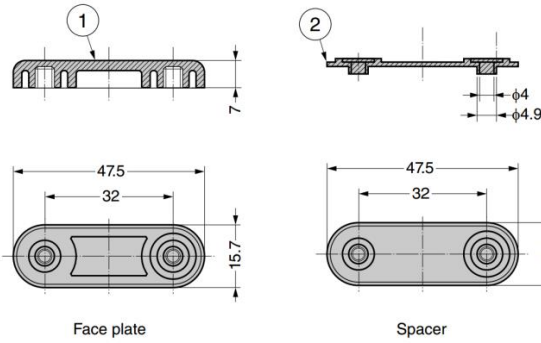
GSDS-50G Face Plate And Spacer For Glass Door

Features

- Glass door face plate for **GSDS** and **GNSDX** lid supports

Parts Included

- Countersunk head screw M4×14 (2 pcs)



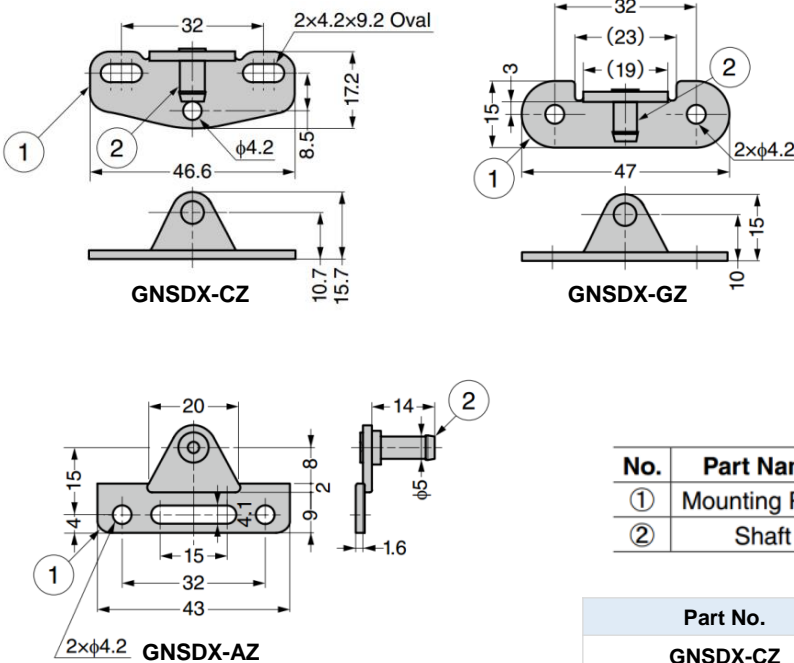
No.	Part Name	Material	Finish
①	Face Plate	Zinc Alloy (ZDC)	Chrome (CR), Black (BL)
②	Spacer	ABS	Black

Part No.	Finish
GSDS-50G-CR	Chrome
GSDS-50G-BL	Black

GNSDX Mounting Plate

Features

- Mounting plate for quick installation of **GNSDX** lid supports / stays
- Three types available



No.	Part Name	Material	Finish
①	Mounting Plate	Steel (SPCC)	Nickel
②	Shaft	Steel (SWCH)	

Part No.	Finish
GNSDX-CZ	Clip-on
GNSDX-AZ	Clip-on for 20 mm aluminium frame
GNSDX-GZ	Clip-on for glass door